

Fig.1 Internal Block Diagram

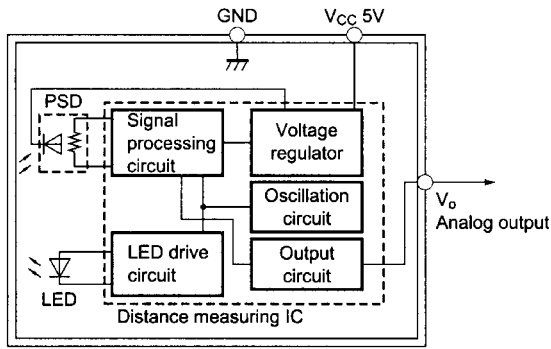


Fig.2 Timing Chart

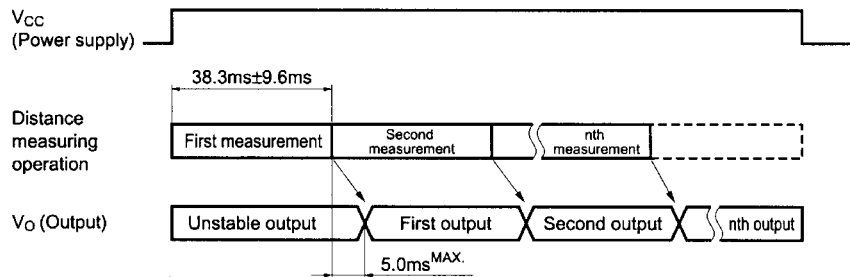


Fig.3 Analog Output Voltage vs. Surface Illuminance of Reflective Object

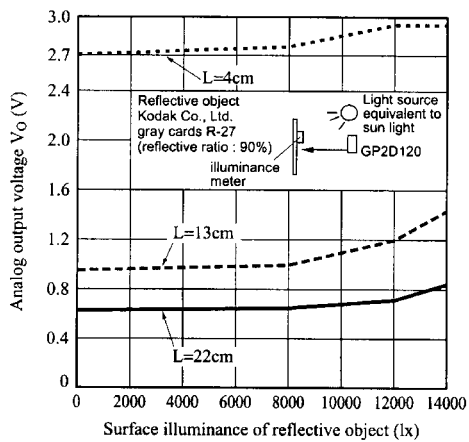


Fig.4 Analog Output Voltage vs. Distance to Reflective Object

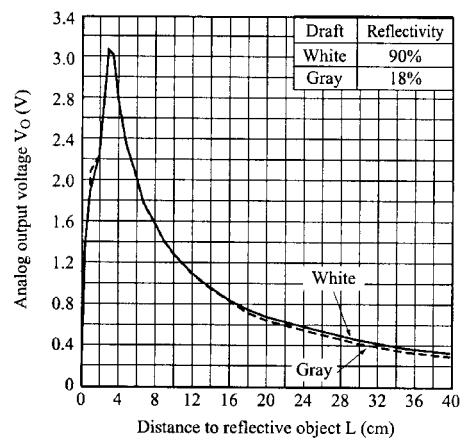


Fig.5 Analog Output Voltage vs. Ambient Temperature

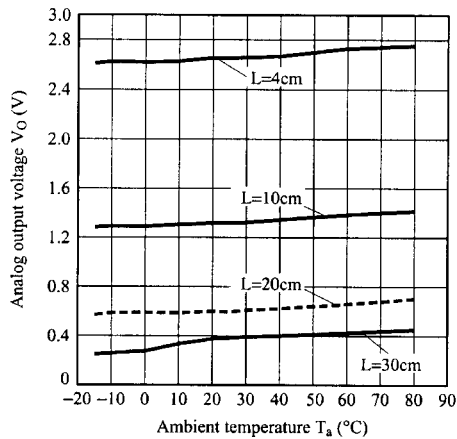


Fig.6 Analog Output Voltage vs. Detection Distance

