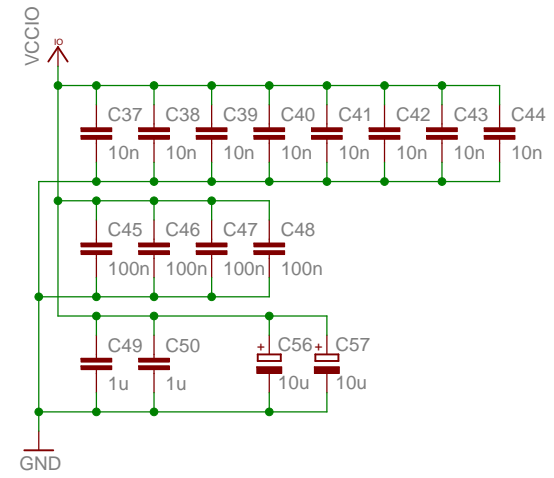
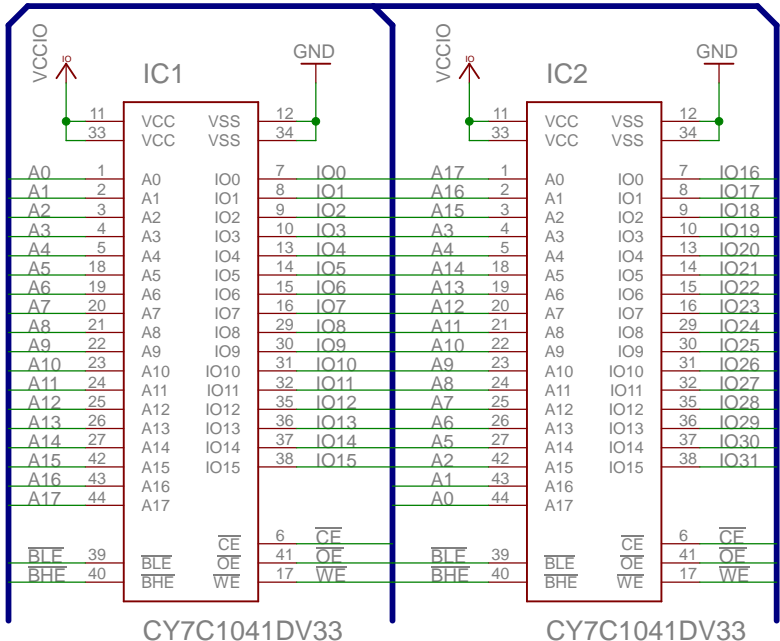
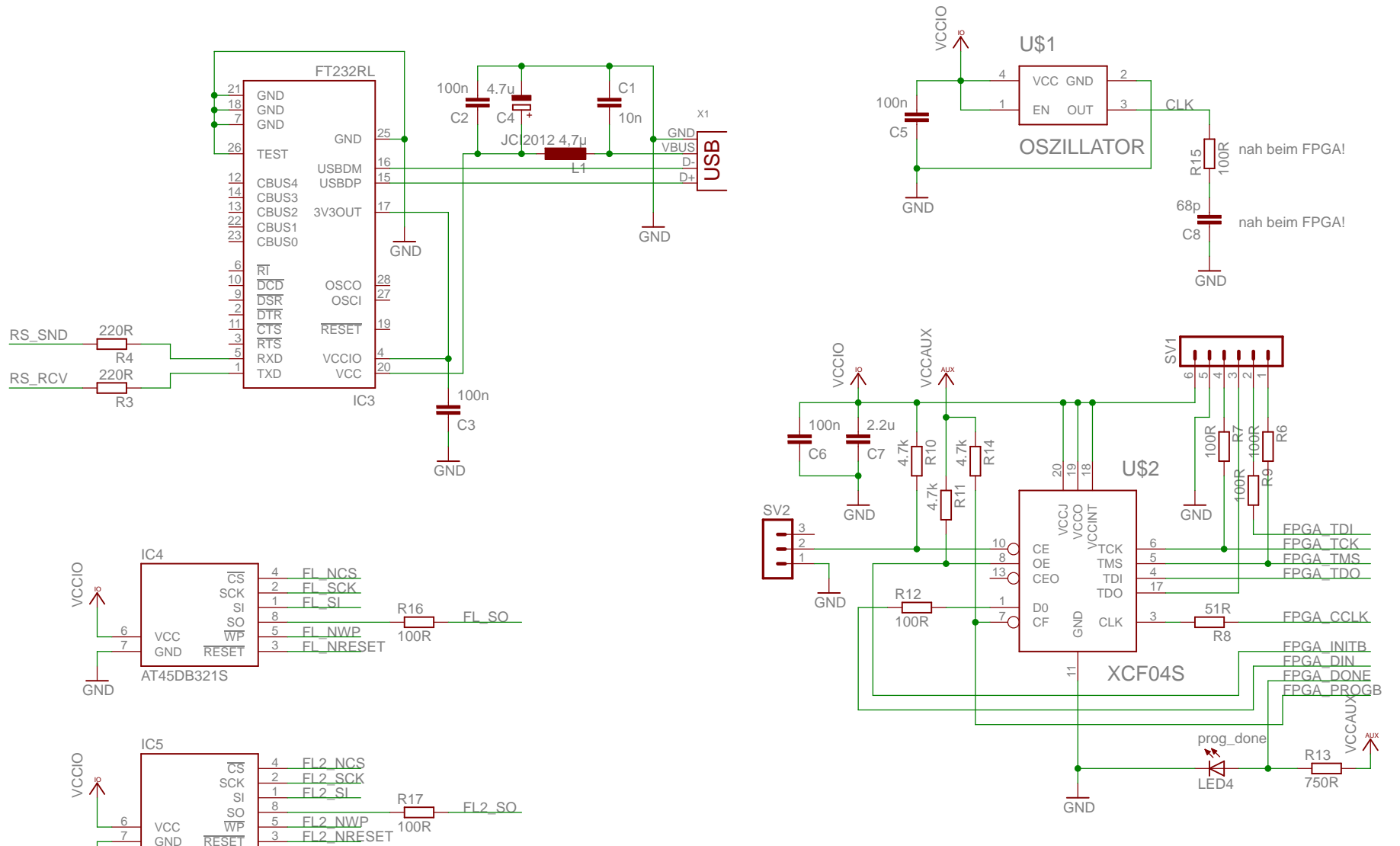


MEMBUS:[A[0..17],IO[0..31],CE,OE,WE,BLE,BHE





UBUS:U[0..44]

