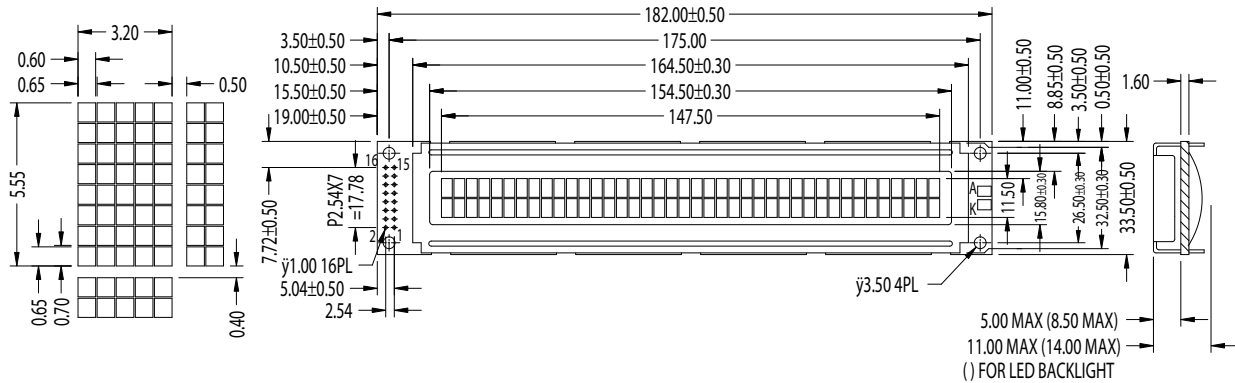


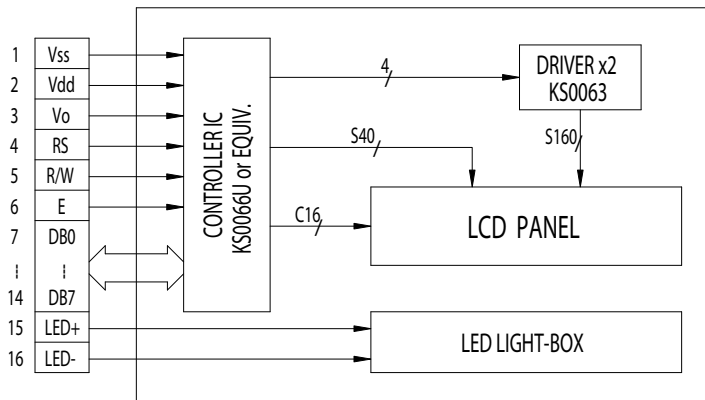
402A Series

40 CHARACTERS x 2 Line, 1/16 DUTY, 1/5 BIAS

EXTERNAL DIMENSION



BLOCK DIAGRAM



INTERFACE PIN CONNECTIONS

PIN NO.	SYMBOL	LEVEL	FUNCTION	
1	Vss	0V	Ground	
2	Vdd	5.0V	Supply voltage for logic	
3	Vo	---	Input voltage for LCD	
4	RS	H/L	H : Data signal, L : Instruction signal	
5	R/W	H/L	H : Read mode, L : Write mode	
6	E	H,H=L	Chip enable signal	
7	DB0	H/L	Data bit 0	
⋮	⋮		⋮	
14	DB7		Data bit 7	
15	LED+		4.2V	Backlight anode
16	LED-		0V	Backlight cathode

MECHANICAL SPECIFICATIONS

ITEM	NOMINAL DIMENSIONS	UNIT
Module Size (W x H x T)	182.0 x 33.5 x 11.0 (14.0 W/LED BACKLIGHT)	mm
Viewing Area (W x H)	154.5 x 15.8	mm
Character Pitch (W x H)	3.70 x 5.95	mm
Character Size (W x H)	3.20 x 5.55	mm
Character Font	5 x 8 DOTS	---
Dot Pitch (W x H)	0.65 x 0.70	mm
Dot Size (W x H)	0.60 x 0.65	mm

ABSOLUTE MAXIMUM RATINGS FOR LED BACKLIGHT

ITEM	SYMBOL	TEST CONDITION	MIN.	TYP.	MAX.	UNIT
LED Forward Consumption Current	If	Ta=25°C Vf=4.2V	---	580	750	mA
LED Allowable Dissipation	Pd		---	2330	3024	mW

Displaytech Ltd

email : sales@displaytech.com.hk

Fax : +852 2722 6998