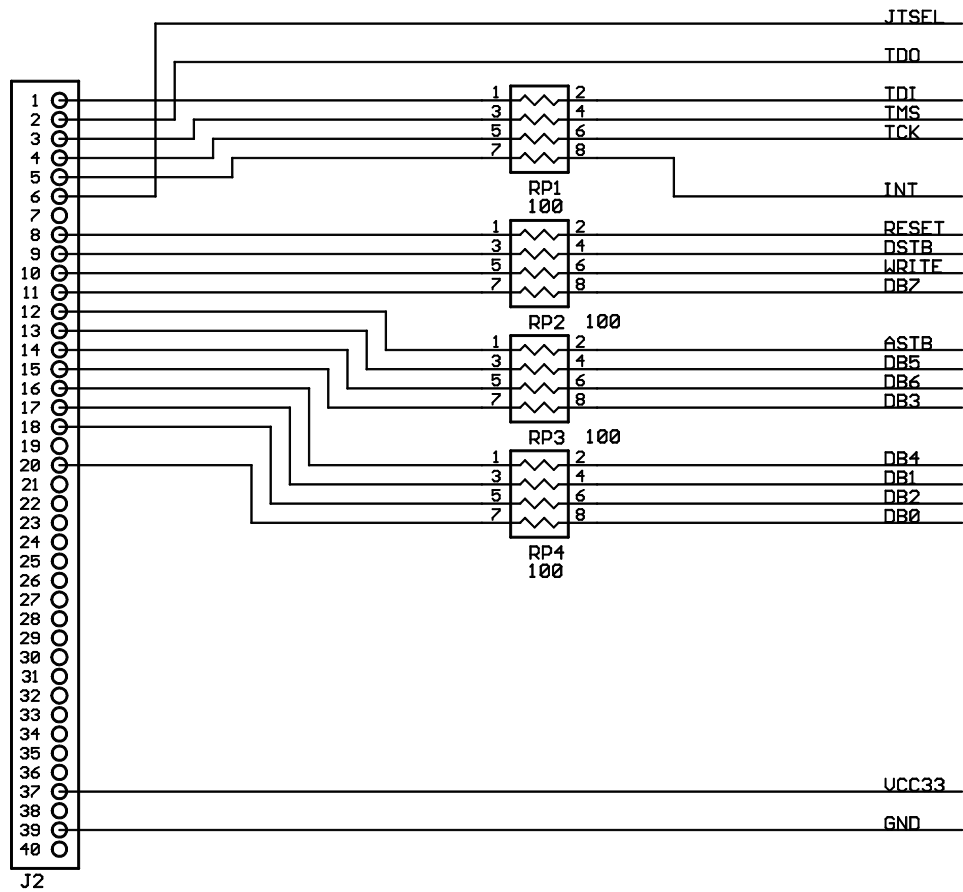


Digilab Module, Serial I/O 2

Copyright 2002, Digilent Inc.

TITLE: DmodSio2	Author: NEA
Document Number: 500-030	Rev: B
Release Date: 04/02/2003	Sheet:1/2



Digilab Module, Serial I/O 2

Copyright 2002, Digilent Inc.

TITLE: DmodSio2	Author: NEA
Document Number: 500-030	Rev: b
Release Date: 04/02/2003	Sheet: 2/2