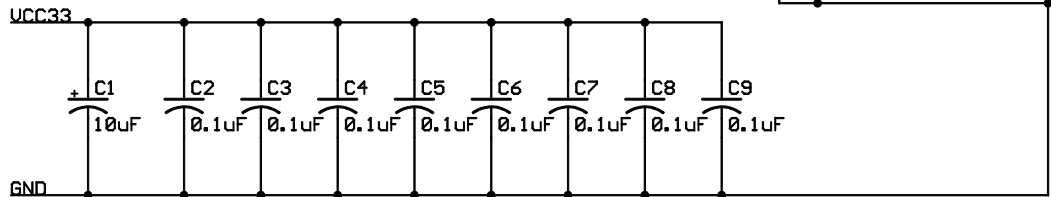
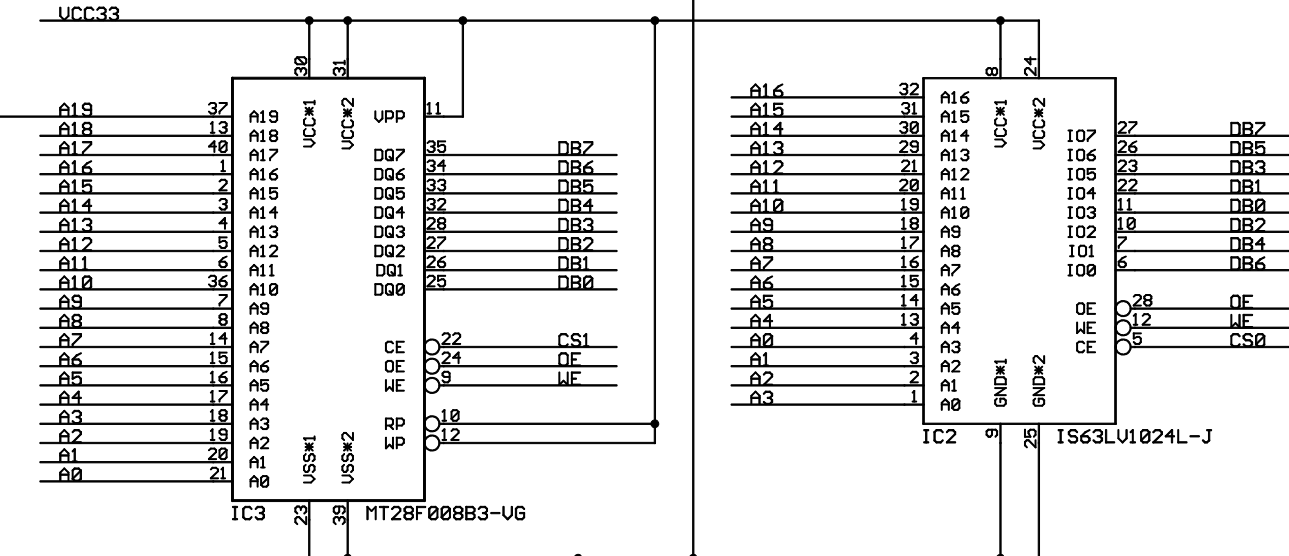
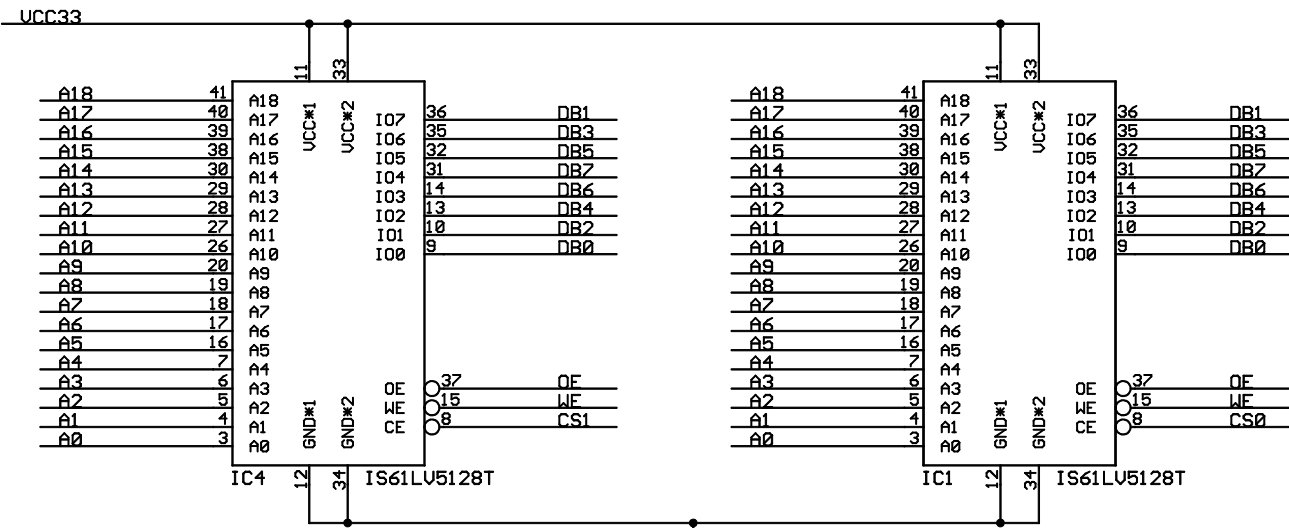


Note: R1-R3 are 0 Ohm shunts.  
Load only one of the three.



Digilab Module: Memory 1	
Copyright 2003, Digilent Inc.	
TITLE: DmodMem1	Author: NEA
Document Number: 500-033	Rev: A
Release Date: 02/11/2003	Sheet: 1/1