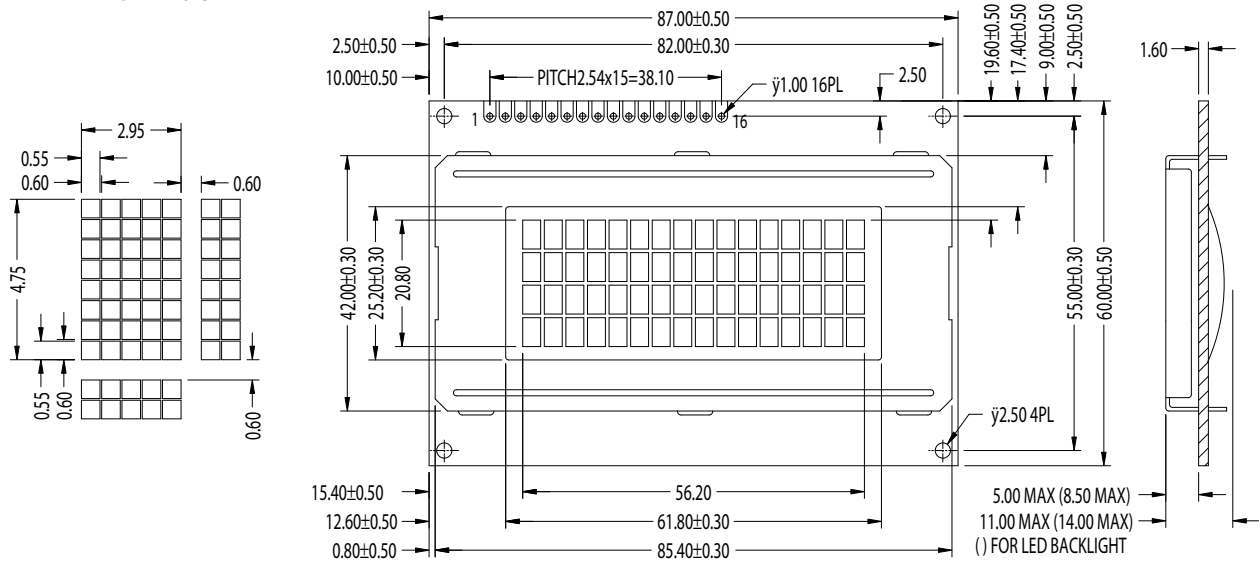


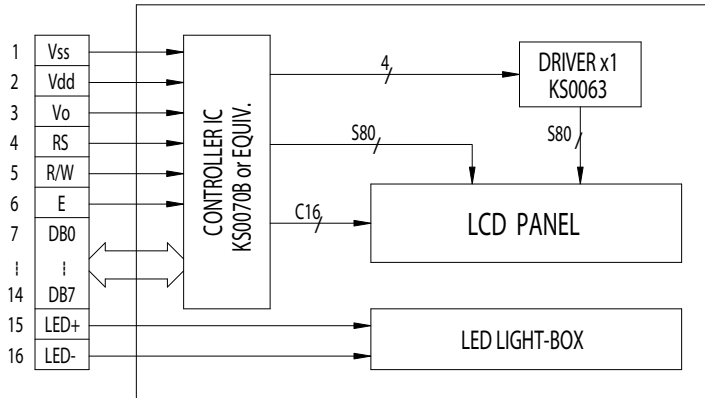
164A Series

16 CHARACTERS x 4 Line, 1/16 DUTY, 1/5 BIAS

EXTERNAL DIMENSION



BLOCK DIAGRAM



INTERFACE PIN CONNECTIONS

PIN NO.	SYMBOL	LEVEL	FUNCTION
1	Vss	0V	Ground
2	Vdd	5.0V	Supply voltage for logic
3	Vo	---	Input voltage for LCD
4	RS	H/L	H : Data signal, L : Instruction signal
5	R/W	H/L	H : Read mode, L : Write mode
6	E	H,H=L	Chip enable signal
7	DB0		Data bit 0
⋮	⋮	H/L	⋮
14	DB7		Data bit 7
15	LED+	4.2V	Backlight anode
16	LED-	0V	Backlight cathode

MECHANICAL SPECIFICATIONS

ITEM	NOMINAL DIMENSIONS	UNIT
Module Size (W x H x T)	87 x 60 x 11.0 (14.0 W/LED BACKLIGHT)	mm
Viewing Area (W x H)	61.8 x 25.2	mm
Character Pitch (W x H)	3.55 x 5.35	mm
Character Size (W x H)	2.95 x 4.75	mm
Character Font	5 x 8 DOTS	---
Dot Pitch (W x H)	0.60 x 0.60	mm
Dot Size (W x H)	0.55 x 0.55	mm

ABSOLUTE MAXIMUM RATINGS FOR LED BACKLIGHT

ITEM	SYMBOL	TEST CONDITION	MIN.	TYP.	MAX.	UNIT
LED Forward Consumption Current	If	Ta=25°C Vf=4.2V	---	330	440	mA
LED Allowable Dissipation	Pd		---	1330	1774	mW

Displaytech Ltd

email : sales@displaytech.com.hk

Fax : +852 2722 6998