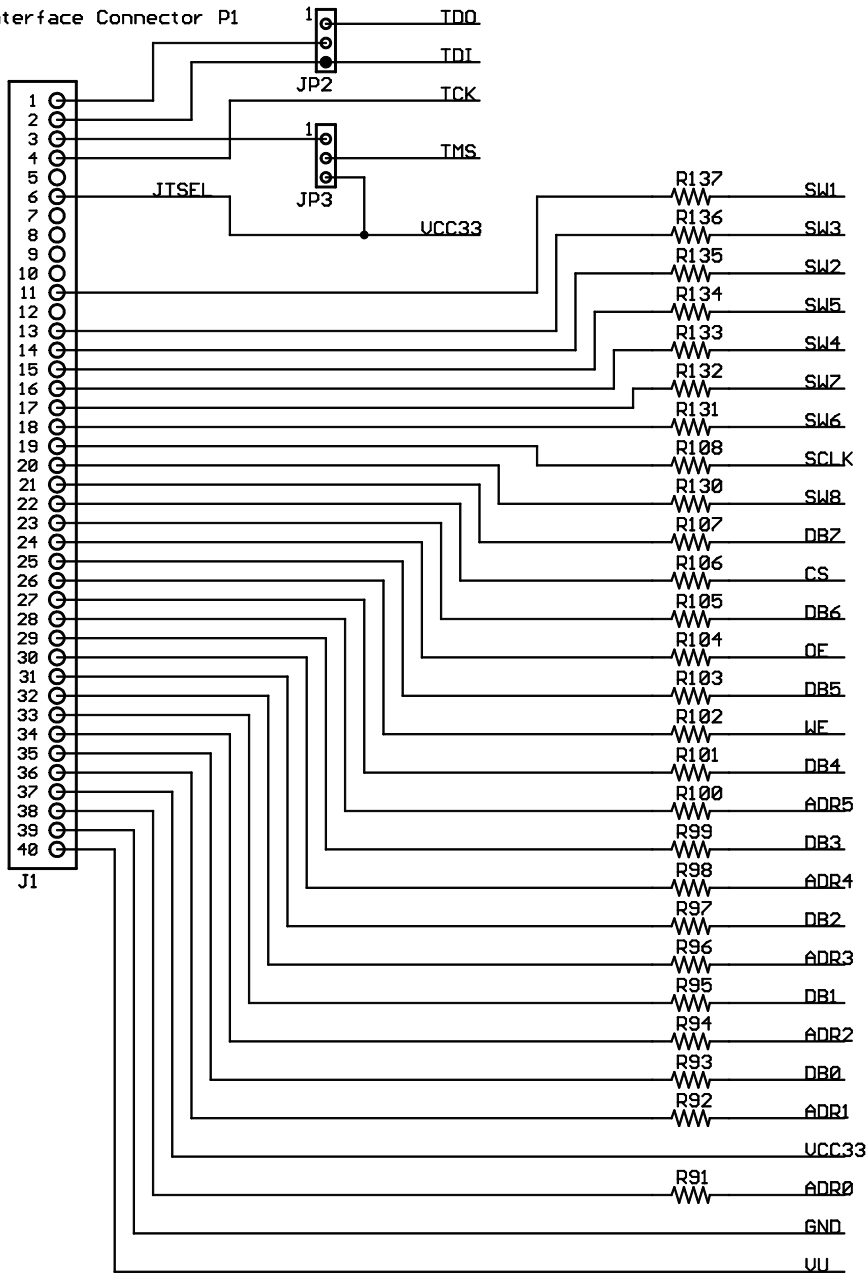
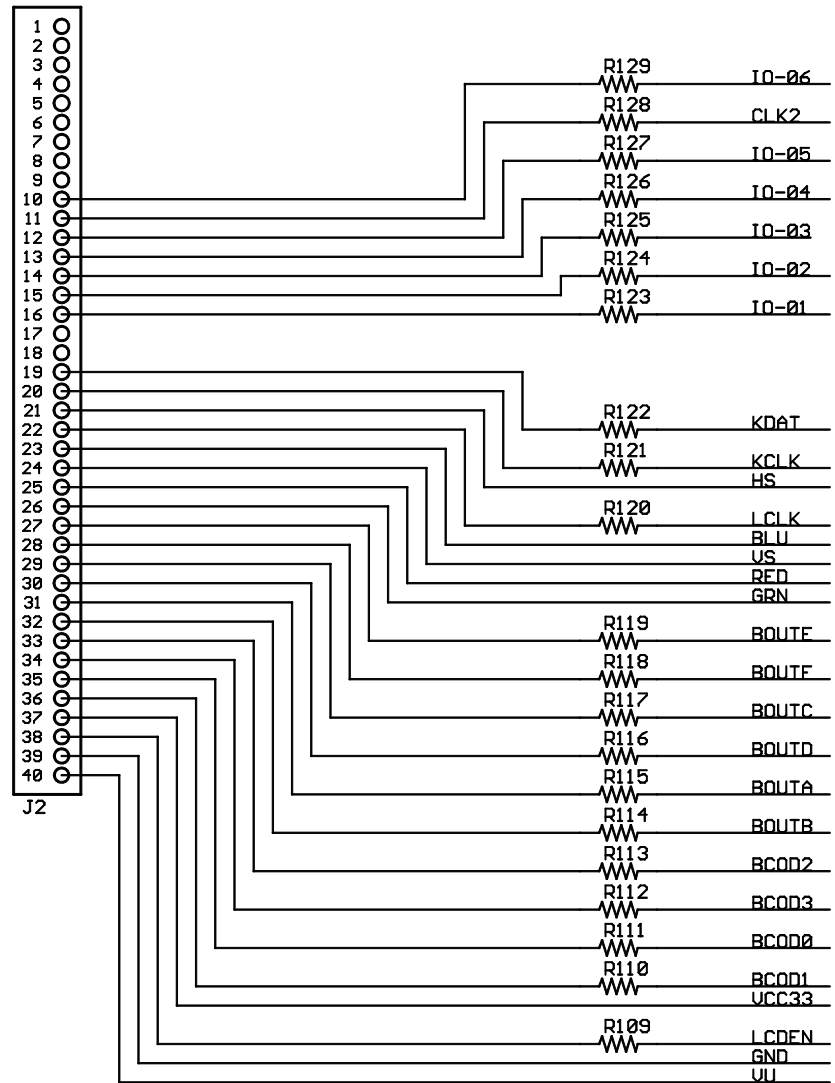


Interface Connector P1



Note: Resistors R91-R137, 100 ohm

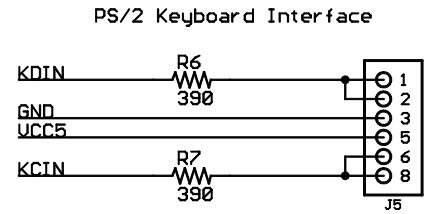
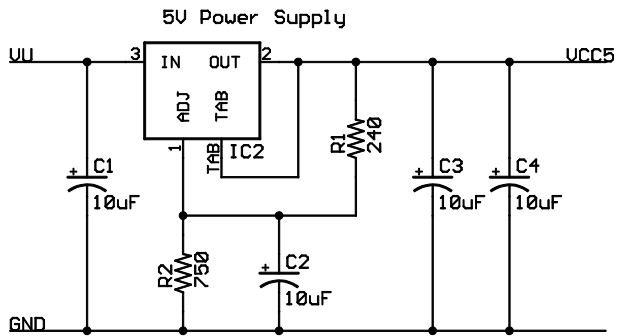
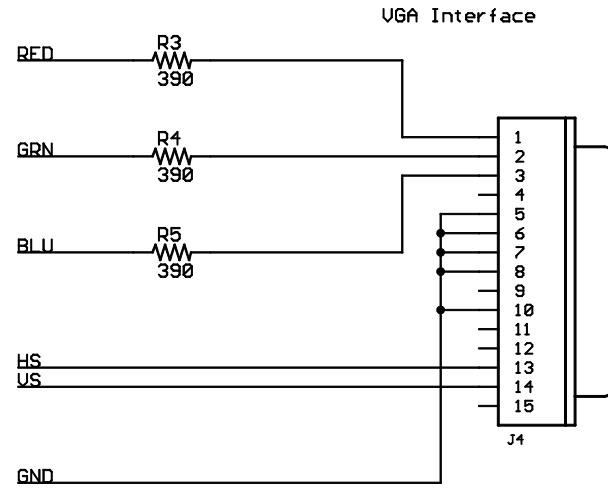
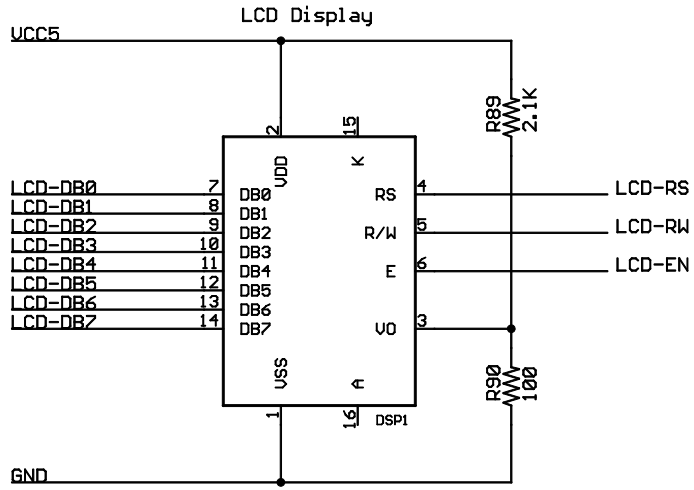
Interface Connector P2



Digilab Digital I/O 5

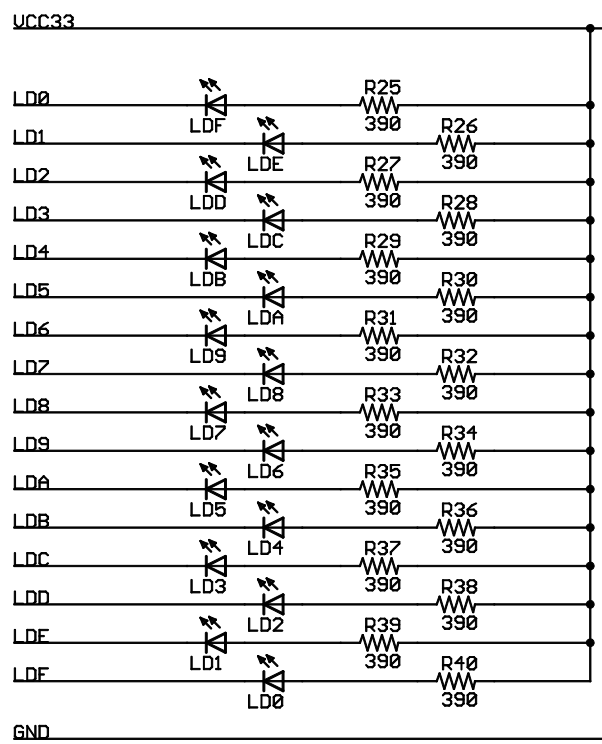
Copyright 2003, Digilent Inc.

TITLE: DlabDio5	Author: NEA
Document Number: 500-028	Rev: B
Release Date: 05/02/2003	Sheet: 1/6

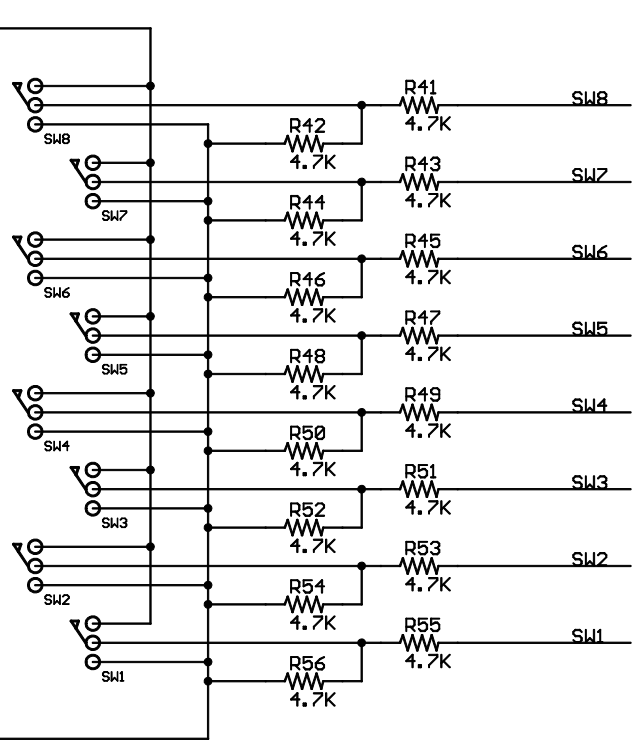


Digilab Digital I/O 5	
Copyright 2003, Digilent Inc.	
TITLE: DlabDio5	Author: NEA
Document Number: 500-028	Rev: B
Release Date: 05/02/2003	Sheet: 2/6

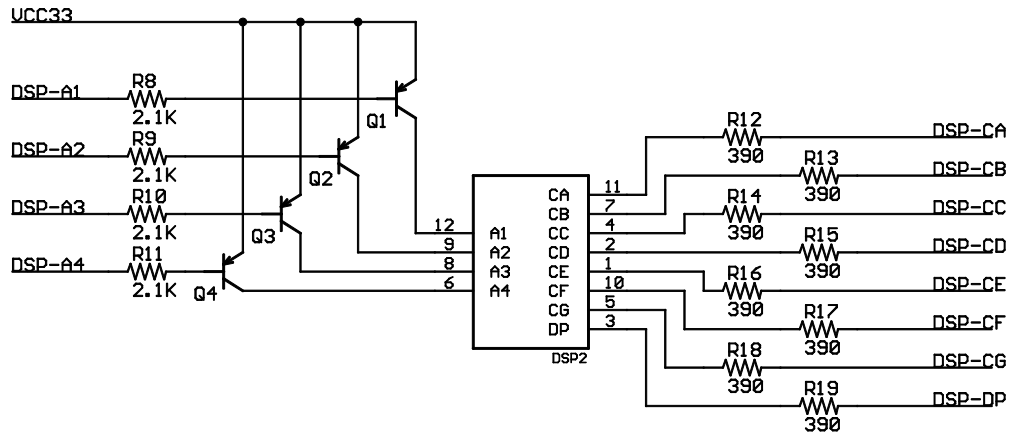
Discrete LED Outputs



Switch Inputs

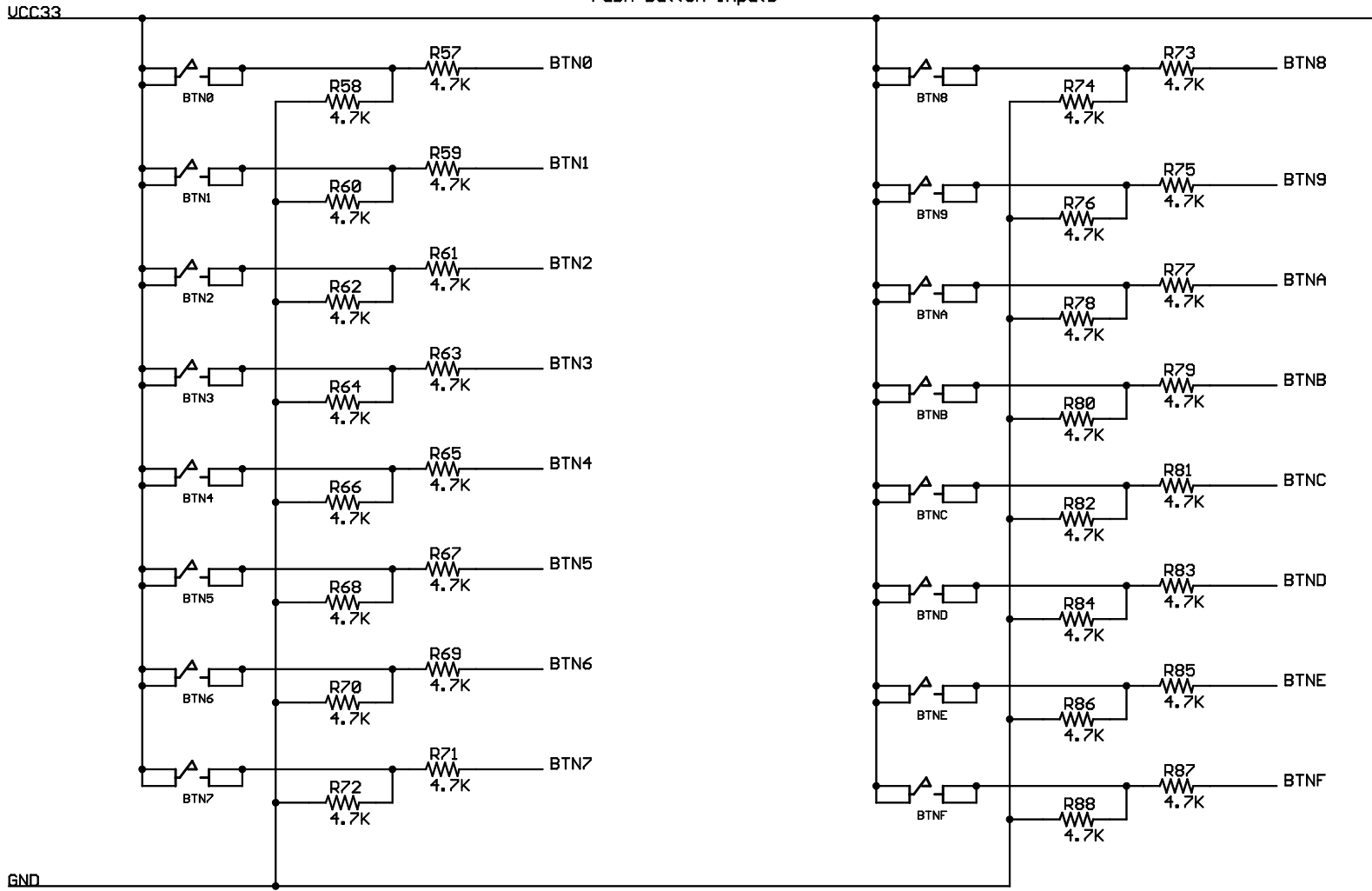


Seven Segment LED Display



Digilab Digital I/O 5	
Copyright 2003, Digilent Inc.	
TITLE: DlabDio5	Author: NEA
Document Number: 500-028	Rev: B
Release Date: 05/02/2003	Sheet: 3/6

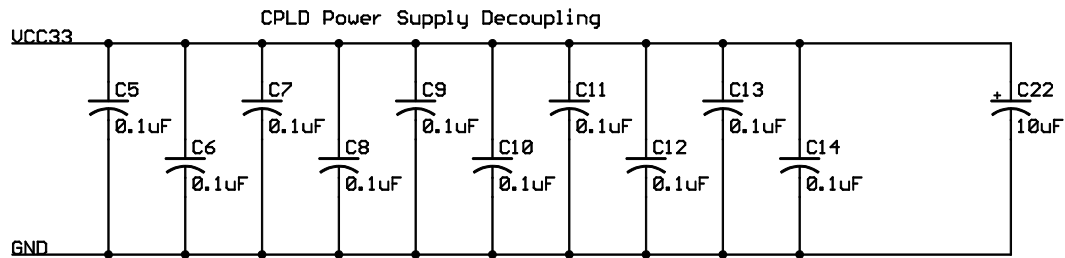
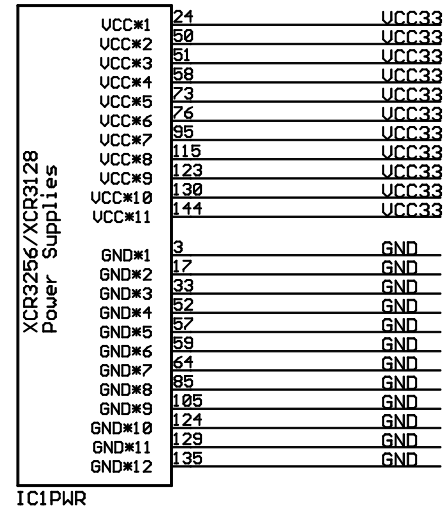
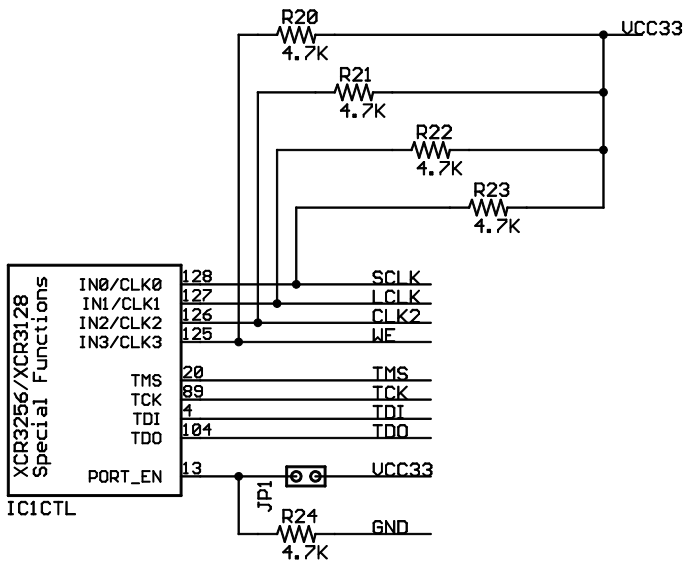
Push Button Inputs



Digilab Digital I/O 5

Copyright 2003, Digilent Inc.

TITLE: DlabDio5	Author: NEA
Document Number: 500-028	Rev: B
Release Date: 05/02/2003	Sheet: 4/6



Digilab Digital I/O 5  
 Copyright 2003, Digilent Inc.

TITLE: DlabDio5	Author: NEA
Document Number: 500-028	Rev: B
Release Date: 05/02/2003	Sheet: 5/6

I001	5	IO-02
I002	6	IO-01
I003	7	KDIN
I004	8	KCIN
I005	9	DSP-A1
I006	10	DSP-A2
I007	11	DSP-A3
I008	12	DSP-A4
I009	14	DSP-DP
I010	15	DSP-CG
I011	16	DSP-CF
I012	18	DSP-CF
I013/NC	19	

IC1FB1

I001	55	BTN9
I002	56	BTNC
I003	60	BTN4
I004	61	BTN5
I005	62	BTN6
I006	63	BTND
I007	65	BTN1
I008	66	BTN2
I009	67	BTN3
I010	68	BTNE
I011	69	BTN0
I012	70	BTNA
I013	71	BTNB
I014	72	BTNE

IC1FB4

I001	107	LCDEN
I002/NC	108	
I009	109	BCOD0
I003	110	BCOD1
I004	111	BCOD2
I005	112	BCOD3
I006	113	BOUTA
I007	114	BOUTB
I008	116	BOUTC
I009	117	BOUTD
I010	118	BOUTE
I011	119	BOUFE
I012	120	KCLK
I013	121	KDAT
I014	122	
I015/NC		

IC1FB7

I001	21	DSP-CD
I002	22	DSP-CC
I003	23	DSP-CB
I004	25	DSP-CA
I005	26	LD0
I006	27	LD1
I007	28	LD2
I008	29	LD3
I009	30	LD4
I010	31	LD5
I011	32	LD6
I012/NC	34	
I013/NC	35	
I014/NC	36	

IC1FB2

I001	74	ADR0
I002/NC	75	
I003	77	DB0
I004	78	ADR1
I005	79	DB1
I006	80	ADR2
I007	81	DB2
I008	82	ADR3
I009	83	DB3
I010	84	ADR4
I011	86	DB4
I012	87	ADR5
I013	88	DB5

IC1FB5

I001	131	IO-03
I002	132	IO-04
I003	133	IO-05
I004	134	LCD-DB0
I005	136	LCD-DB1
I006	137	LCD-DB2
I007	138	LCD-DB3
I008	139	LCD-DB4
I009	140	LCD-DB5
I010	141	LCD-DB6
I011	142	LCD-DB7
I012	143	LCD-FN
I013	1	LCD-RW
I014	2	LCD-RS

IC1FB8

I001	37	LD7
I002	38	LD8
I003	39	LD9
I004	40	LDA
I005	41	LDB
I006	42	LDC
I007/NC	43	
I008	44	LDD
I009	45	LDF
I010	46	LDF
I011/NC	47	
I012/NC	48	
I013/NC	49	
I014	53	BTN7
I015	54	BTN8

IC1FB3

I001	90	DB6
I002	91	DF
I003	92	DB7
I004	93	CS
I005	94	SW8
I006	96	SW7
I007	97	SW6
I008	98	SW5
I009	99	SW4
I010	100	SW3
I011	101	SW2
I012	102	SW1
I013	103	
I014	106	IO-06

IC1FB6

## Digilab Digital I/O 5

Copyright 2003, Digilent Inc.

TITLE: DlabDio5	Author: NEA
Document Number: 500-028	Rev: B
Release Date: 05/02/2003	Sheet: 6/6